

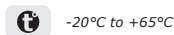
## QUICK START GUIDE

### 1] PRODUCT PRESENTATION

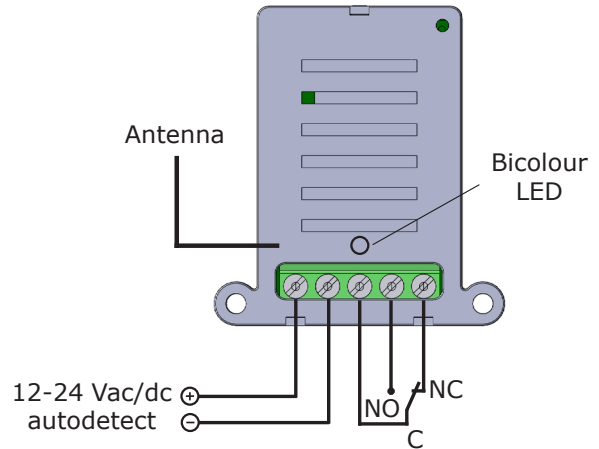
The CUBESIGNAL is a superheterodyne radio receiver operating at 433.92 MHz in AM/ASK modulation. It is compatible with all CDVI transmitters that use the KeeLoq® hopping code security protocol.

The receiver can only be programmed via Bluetooth using the InstallerCUBE app.




Feature	Description
Receiver type	Superheterodyne
Memory capacity	250 transmitters, 100 smartphones
Security Protocol	KeeLoq® hopping code
Technology	Bluetooth
Security level	AES128 encryption (with smartphone)
Operating modes	Pulse, latch, timed
Time delay	from 1sec to 23h 59min 59sec
Code combinations	2 <sup>64</sup> (max)
Dimensions	50 (L) x 32 (W) x 20 (D) mm
Relays	1 x C/NO/NC
Power supply	12-24 Vac/dc (autodetect)
Consumption	78mA @ 12Vac (max)
Contact rating	1A @ 24V (60V max)



### 2] WIRING



### 3] LED INDICATION

	GREEN	Power ON No Bluetooth communication
	GREEN/ ORANGE Blinking	Bluetooth communication in progress
	ORANGE	Relay triggered

### 4] APP SET UP

Scan the QR codes below to download the installer and end user apps and access the full app set up user guide.

Download  
InstallerCUBE



Download  
UserCUBE



Set Up Guide



## WARNINGS

The receiver location is very important to ensure the best operation of the system. Place the receiver far from any interference sources such as large magnetic fields or radio emissions. The distance between two receivers must be at least 1.5m.

The equipment must be powered up from a Safety Extra Low Voltage device (SELV), LPS type (Low Power Source).

There must be a suitable disconnecting device to the receiver's current draw: 90mA @ 12 Vdc (max).