

HF4-BT Touch keypad & fingerprint

Working with

Sboard Mini controller for single door

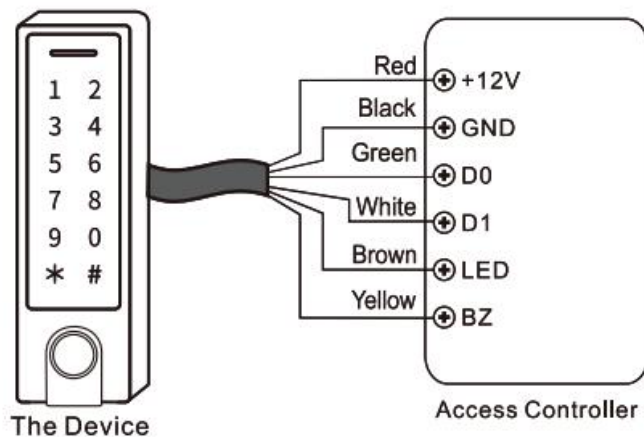
Please note:

When using HF4-BT as a slave reader, its Bluetooth function becomes invalid.

1. Connection

- Program on HF4-BT: * (Master Code) # (7 8) #

- Wiring



Notes:

- > When set into Wiegand Reader mode, nearly all settings in Controller Mode will become invalid, and Brown & Yellow wires will be redefined as below:
 - Brown wire: Green LED light control
 - Yellow wire: Buzzer control
- > If you need to connect Brown/Yellow wires:
When the input voltage for LED is low, the LED will turn into Green; and when the input voltage for Buzzer is low, it will sound.

2. Add Card/ PIN Users

Program on Sboard (Master code default is 123456)

Programming Step	Keystroke Combination
Add Card User	
1. Enter Program Mode	* (Master Code) #
2. Add Card: Using Auto ID (Allows Sboard to assign Card to next available User ID number) OR 2. Add Card: Select Specific ID (Allows Master to define a specific User ID to associate the card to) OR 2. Add Card: by Card Number OR 2. Add Card: Block Learn (Allows Master to add up to 1000 cards to the Reader in a single step.) Takes 2 minutes to program.	1 (Read Card on External Reader) # Repeat Step 2 for additional user cards 1 (User ID) # (Read Card on External Reader) # The user ID is any number from 0-999 1 (Input 8/10 digits Card number) # 1 (User ID number) # (Card quantity) # (The first card number) # Cards' number must be consecutive; Card quantity = number of card to be enrolled
Add PIN User	
1. Enter Program Mode	* (Master Code) #
2. Add PIN: Using Auto ID (Allows Sboard to assign PIN to next available User ID number)	1 (Input PIN) # Repeat Step 2 for additional users (PIN: 4~6 digits)
2. Add PIN: Select Specific ID (Allows Master to define a specific User ID to associate the PIN to)	1 (User ID) # (Input PIN) # The user ID is any number from 0-999 (PIN: 4~6 digits)
3. Exit	*

3. Add Fingerprint Users

Program on Sboard (Master code default is 123456)

1	Enter Program Mode: * (Master Code) #
2 OR 2	1 (Press Fingerprint A on HF4) (Repeat Fingerprint A on HF4) # (ID auto allocated) 1 (User ID) # (Press Fingerprint A on HF4)(Repeat Fingerprint A on HF4) # (Select specific ID)
3	Exit: *

4. Delete Users

Program on Sboard (Master code default is 123456)

Programming Step	Keystroke Combination
1. Enter Program Mode	* (Master Code) #
2. Delete User – By User ID OR 2. Delete User – By Card OR 2. Delete User – By Card number OR 2. Delete User – By PIN OR 2. Delete All User	2 (User ID) # 2 (Read Card on External Reader) # 2 (Input 8/10 digits Card number) # 2 (Input PIN) # 2 (Mater Code) #
3. Exit	*