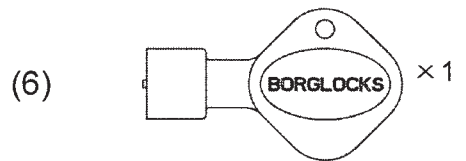
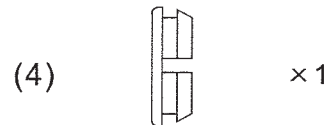
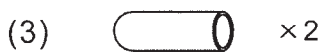
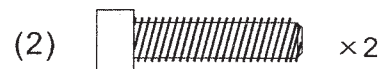
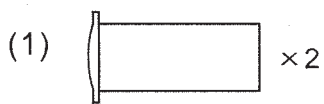
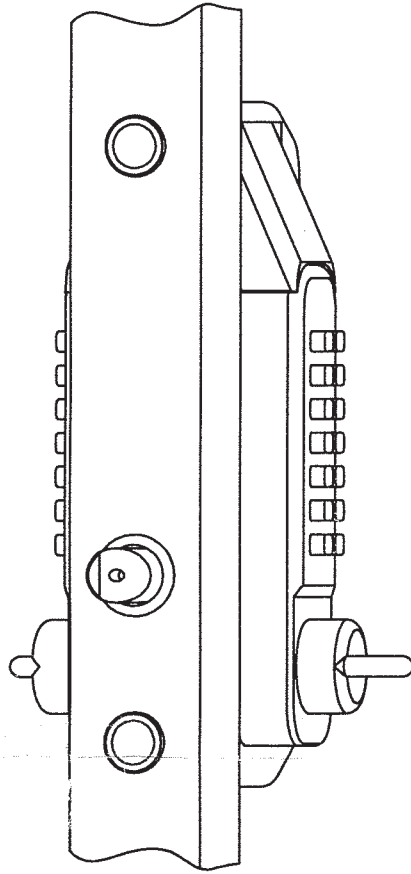


# Parts list, Installation & General Information

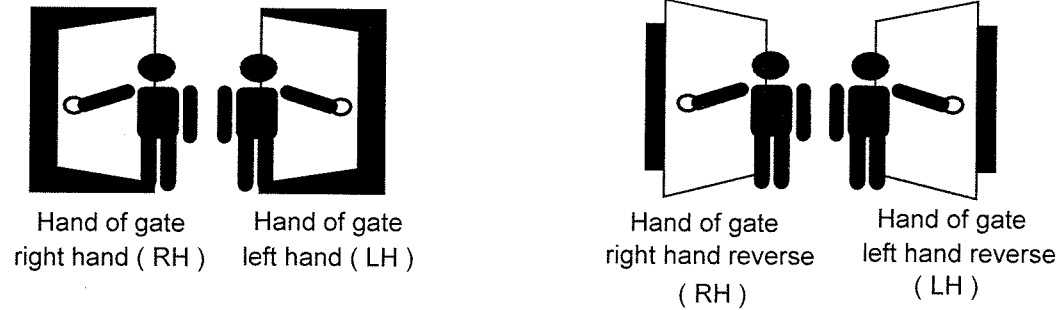


## ESTABLISH THE HAND OF THE GATE

Viewing from the OUTSIDE it is right hand if the hinges are fitted on the right and it is left hand if the hinges are fitted on the left-hand side of the door. This is regardless of swings inward or outward.

### HANDING CHART

( Always take hand from outside )



### Latch bolt adjustment procedures

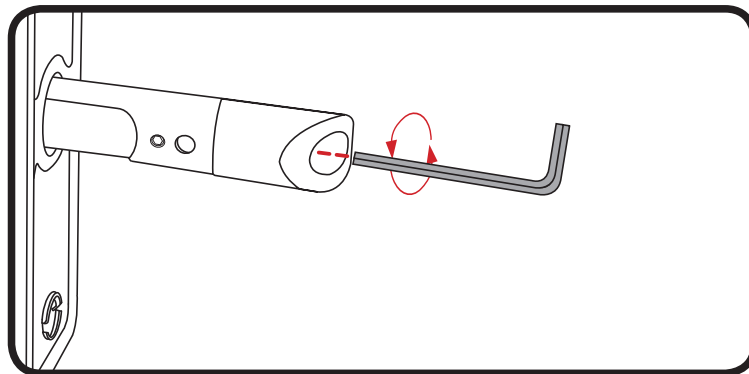


Fig 1

1. Loosen the Hex screw with the Hex key (Fig 1) until the end of the latch bolt can be rotated.
2. Rotate the latch bolt to required length (range of adjustment (  $19/32''$  ) 15 mm).

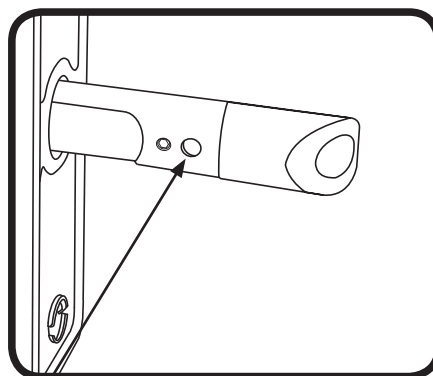
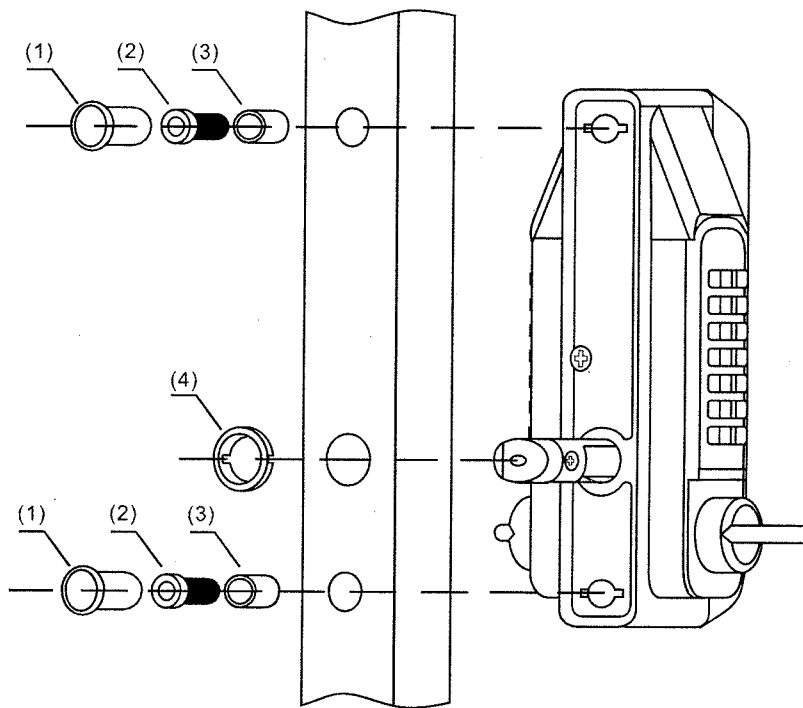


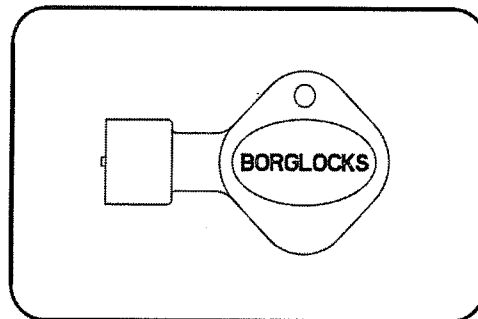
Fig 2

3. Align the ball pin head with the opening on the latch (Fig 2)
4. Tighten the Hex screw.



## CODE CHANGING PROCEDURE

The code should be changed with the door in the open position. To change the code you will need to know what the keypad is currently set to. The code can be changed with the unit fitted on/off the door.



Code Change Key

1. With the door opened, enter existing code.
2. Using code change key - insert into the hole in the \* button - fully press and hold until step 5
3. Press `C` button to clear the existing code
4. Enter the new code
5. Release the code change key from the hole in the \* button
6. Press `C` to set the new code
7. The new code is now set and ready for use
8. Check that the code is working 5 times and that it is withdrawing the latchbolt in the door before closing the door.

**Please note: If a mistake is made whilst entering a new code (with the \* button pressed) the `C` button can be pressed which will cancel any buttons that have been pressed and you can start again.**



## **Maintenance Instructions – Applicable for all models**

### **Monthly**

Clean the surface of the keypad and all of the exposed elements of the latch assembly with a light spray application of a silicon based lubricant such as GT85 or other. Remove any excess with soft cloth.

**Do not** use oil based lubricants such as WD40. Oil based products will attract dirt. A Silicon based lubricant will also help to displace water away from the internal mechanisms.

### **Annually**

1. Remove the lock from the door/locking assembly.
2. Spray the inside of the lock with GT85 or other silicon based lubricant through the tumbler holes on the reverse of the keypad. Remove any excess with soft cloth.
3. Spray all of the fixings, accessories and latch with GT85 or other silicon based lubricant.
4. Push each of the buttons and rotate the knob/lever several times to ensure that the lock is working smoothly and that all buttons return to their outward position.

### **Remarks**

The above maintenance procedures can be carried out whenever the operation of the lock is sticky or the code is intermittently accepted. If for whatever reason the above instructions do not solve the problem, please call our help line on **+44 (0) 1708 225700**.

### **BORG LOCKS UK LTD**

9 Upminster Trading Park, Warley Street, Upminster, Essex RM14 3PJ

**Tel.** +44 (0) 1708 225700 **Fax.** +44 (0) 1708 226338

[sales@borglocks.com](mailto:sales@borglocks.com)

[www.borglocks.com](http://www.borglocks.com)