

2000 ECP  
SERIES









# BL2000 ECP Series



The BL2201 ECP acts as our entry level lock, providing access control for situations where entrance needs to be restricted. Fully mechanical and with a simplistic design, the model provides automatic locking until such a time that the correct code is entered.

This lock is cycle tested to 50,000 operations and is suited for internal doors where unauthorised entry is risk. This particular model can come fitted with a holdback function, allowing the door to be locked open for situations that demand free movement. This keypad is ideal for light duty, access control solutions and is suited for internal wooden or composite doors.

## FEATURES

-  On door code change
-  Optional holdback
-  Over 4000+ combinations
-  Reversible
-  Cycle tested 50k+
-  Optional code change disabling plug

## Series Options



- Tubular latch (BL2001 ECP /BL2201 ECP /BL2021 ECP)**  
 50mm/ 60mm /70mm backset tubular latch with 12.5mm latch bolt and anti-thrust pin to prevent forced entry
- Rim fixed deadbolt (BL2005 ECP)**  
 Surface mounted, 60mm deadbolt with 20mm retraction
- Holdback option (BL2201 ECP)**  
 Optional holdback available allowing the inside handle to remain held open, allowing free access without the need to operate the handle



**BL2001 ECP**

Thumb turn knob keypad with with non-holdback paddle handle and tubular latch



**BL2201 ECP**

Thumb turn knob keypad with holdback paddle handle and tubular latch



**BL2021 ECP**

Back to back thumb turn knob keypads with a tubular latch



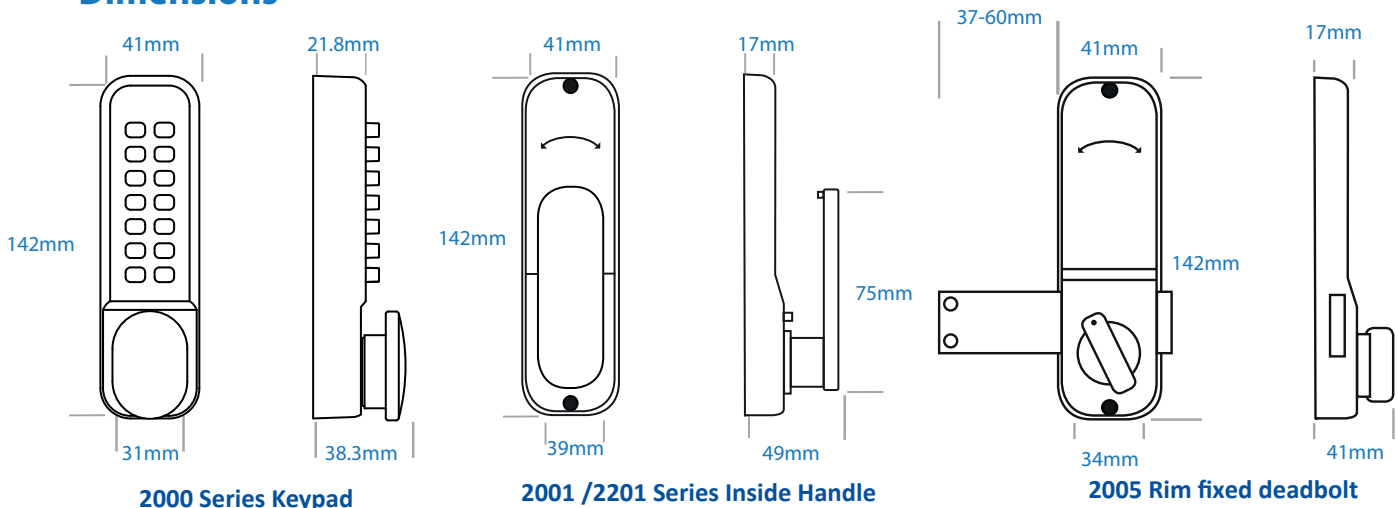
**BL2005 ECP**

Thumb turn knob keypad with an internal, rim-fixed deadbolt

## Technical Information

<b>Construction:</b>	Cast housing & knob with s/steel buttons
<b>Buttons:</b>	14 buttons; 12 coded, 1 clear & 1 code change
<b>Finishes:</b>	Satin Chrome , Polished Brass & Satin stainless (Satin stainless for BL2005 ECP only)
<b>Fixings:</b>	2 flat bladed spindles (80 & 100mm)
<b>Door type:</b>	Suitable for all internal light duty doors
<b>Deadlatch:</b>	Anti-thrust pin ensures automatic locking when the door is closed
<b>Door thickness:</b>	60mm on standard fixings, 85mm on XL fixing kit (Part no. S227)

## Dimensions



2000 ECP  
SERIES










# BL2400 ECP Series



The BL2400 ECP series represents a medium duty range of access control devices for situations where a knob turn keypad may not be suitable. As with all of our ECP range, this comes with on the door code change, allowing a fast recode without the stress of having to remove the keypad from the door.

This comes with an option to have a holdback function on the inside handle (single sided models only) and comes with a free turning handle until such a time that the correct code is entered into the device. This lock acts as a direct lever handle upgrade to any 130mm centre digital push button lock.

## FEATURES

-  On door code change
-  Optional holdback
-  Cycle tested 100k+
-  Over 4000+ combinations
-  Reversible on site
-  Optional code change disabling plug
-  Free turning handle

## Series Options



- **Tubular latch (BL2401 ECP /BL2421 ECP)**  
50mm/ 60mm /70mm backset tubular latch with 12.5mm latch bolt and anti-thrust pin to prevent forced entry
- **Holdback option (BL2401 ECP)**  
Optional holdback available allowing the inside handle to remain held open, allowing free access without the need to operate the handle



**BL2401 ECP**

Free turning lever handle keypad with holdback inside handle and tubular latch



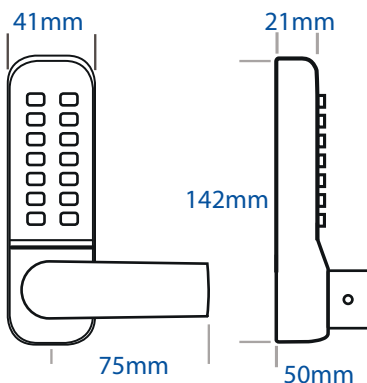
**BL2421 ECP**

Free turning lever handle back to back keypad with a tubular latch

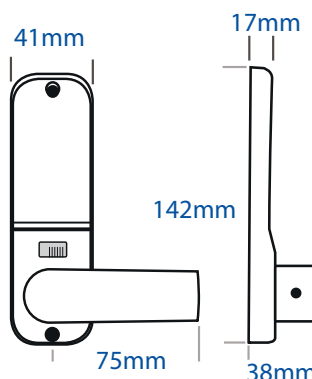
## Technical Information

<b>Construction:</b>	Cast housing & knob with s/steel buttons
<b>Buttons:</b>	14 buttons; 12 coded, 1 clear & 1 code change
<b>Finishes:</b>	Satin stainless
<b>Fixings:</b>	1 flat bladed sprung spindle (108mm) and fixings to suit door thickness up to 60mm
<b>Door type:</b>	Suitable for all internal light to medium duty doors
<b>Deadlatch:</b>	Anti-thrust pin ensures automatic locking when the door is closed
<b>Door Thickness</b>	60mm on standard fixings, 85mm on XL fixing kit (Part no. S227)

## Dimensions



**BL2400 ECP Keypad**



**BL2400 ECP Inside handle**

2000 ECP  
SERIES









## BL2500 ECP Series



The BL2500 ECP series is a direct upgrade to our standard BL2000 ECP series keypads. These are all constructed with heavier duty, premium grade components made from stainless steel for the highest grade of engineering.

Each model in the BL2500 ECP series has been cycle tested to 100k operations and comes with the ECP "on the door" code change. These units are ideal for medium duty timber doors. Available with or without a holdback function as required on all of the ranges.

### FEATURES

-  On door code change
-  Optional holdback
-  Cycle tested 100k+
-  Over 4000+ combinations
-  Reversible on site
-  Optional code change disabling plug

## Series Options



- Tubular latch (BL2501 ECP /BL2521 ECP)**  
 50mm/ 60mm /70mm backset tubular latch with 12.5mm latch bolt and anti-thrust pin to prevent forced entry
- Holdback option (BL2501 ECP)**  
 Optional holdback available allowing the inside handle to remain held open, allowing free access without the need to operate the handle



**BL2501 ECP**

Knurled knob keypad with holdback paddle handle and tubular latch



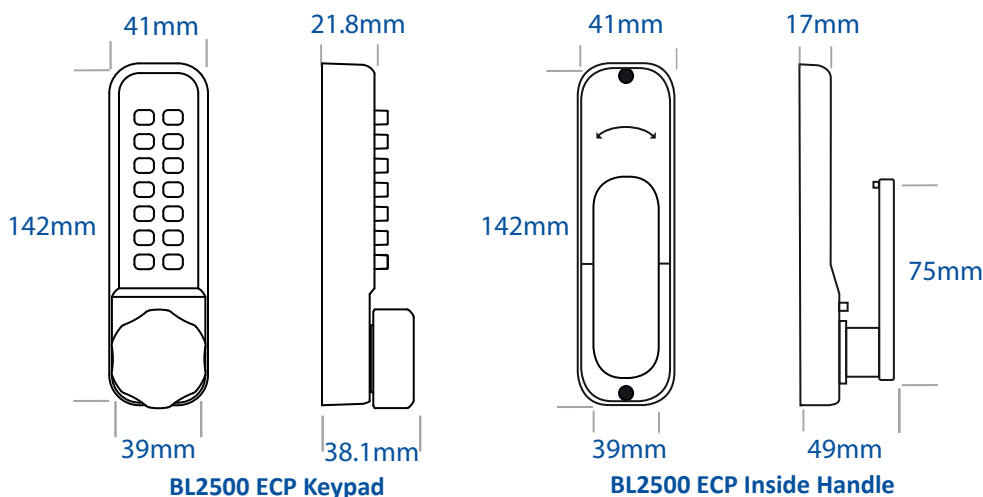
**BL2521 ECP**

Back to back knurled knob keypads with a tubular latch

## Technical Information

<b>Construction:</b>	Cast housing & knob with s/steel buttons
<b>Buttons:</b>	14 buttons; 12 coded, 1 clear & 1 code change
<b>Finishes:</b>	Satin Stainless
<b>Fixings:</b>	2 flat bladed spindles (80 & 100mm) and fixings to suit door thickness up to 60mm
<b>Door type:</b>	Suitable for all internal light to medium duty doors
<b>Deadlatch:</b>	Anti-thrust pin ensures automatic locking when the door is closed
<b>Door Thickness</b>	60mm on standard fixings, 85mm on XL fixing kit (Part no. S227)

## Dimensions



2600 ECP  
SERIES




# Marine Grade ECP Series



The Marine Grade series offers a comprehensive range of mechanical access control solutions that have been specifically developed for marine applications whereby compliance to the ISPS code is required.

Boasting our new MG Pro 2 marine grade finish, this improved material provides increased protection against saltwater corrosion as well as greater UV resistance. The BL2600 ECP series has numerous different variants available, allowing keypads to be fitted onto a wider range of different external applications.

## FEATURES

-  On door code change
-  Optional holdback
-  Over 4000+ combinations
-  Reversible
-  Cycle tested 50k+
-  Optional code change disabling plug
-  1000 hours salt spray tested

## Series Options

- Tubular latch (BL2601 ECP /BL2621 ECP)**  
 60mm backset, external grade tubular latch with 12.5mm latch bolt and anti-thrust pin to prevent forced entry.
- Back to back keypads (BL2621 ECP /BL2625 ECP)**  
 Fitted with keypads both sides, requiring a code for both entrance and exit.
- Rim fixed Deadbolt (BL2605 ECP)**  
 Fitted with a rim-fixed deadbolt as opposed to a standard mortice latch and handle. Designed for situations where the door may be too thin for standard.



**BL2601 ECP**

Knurled knob keypad lock with an internal paddle handle and tubular latch



**BL2621 ECP**

Back to back knurled knob keypad locks and tubular latch



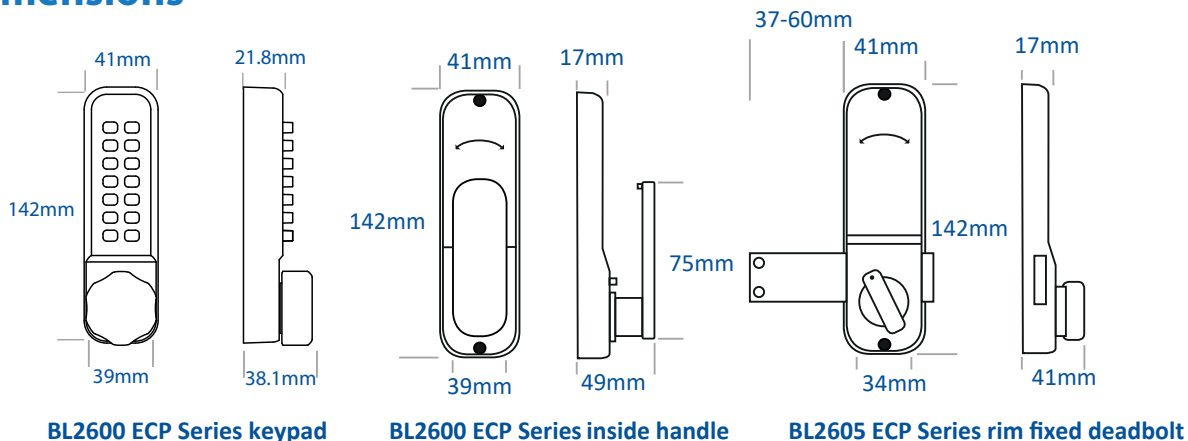
**BL2605 ECP**

Knurled knob keypad lock with an internal rim-fixed deadbolt

## Technical Information

<b>Construction:</b>	Cast housing and knob with s/steel buttons
<b>Buttons:</b>	14 buttons; 12 coded, 1 clear & 1 code change
<b>Finish:</b>	Black marine external grade coating (MG Pro2)
<b>Fixings:</b>	1 flat bladed sprung spindle (120mm) and M4 screw fixings
<b>Door type:</b>	Suitable for external medium duty doors and gates
<b>Door thickness:</b>	Fixings to suit door thickness up to 85mm

## Dimensions





2000 ECP  
SERIES










# BL2700 ECP Series



The BL2700 ECP series is a direct upgrade to our standard BL2000 ECP series keypads. This keypad comes with a built-in key cylinder, allowing a key override without the hassle of installing specialist lockcases.

Each model in the range has been cycle tested to 100,000 operations and comes with the ECP "on the door" code change. These units are ideal for medium duty timber doors. Available with or without a holdback function as required. For multiple units, a keyed alike option is available, giving the ability to use the same key over multiple keypads.

## FEATURES

-  On door code change
-  Key by-pass
-  Optional holdback
-  Over 4000+ combinations
-  Reversible on site
-  Cycle tested 50k+
-  Optional code change disabling plug

## Series Options



- **Tubular latch (BL2701 ECP /BL2771 ECP)**  
50mm/ 60mm /70mm backset tubular latch with 12.5mm latch bolt and anti-thrust pin to prevent forced entry
- **Holdback option (BL2701 ECP)**  
Optional holdback available allowing the inside handle to remain held open, allowing free access without the need to operate the handle
- **Keyed alike (BL2701 ECP /BL2771 ECP)**  
Available for multiples of the unit. Each unit will have the same key number, allowing the need for only one key to operate on several units.



**BL2701 ECP**

Knob turn keypad with holdback paddle handle, tubular latch and built-in key override



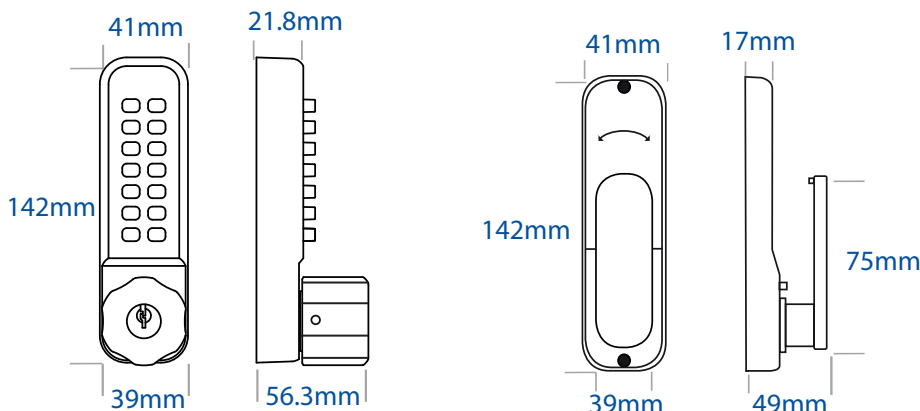
**BL2771 ECP**

Back to back knob turn keypads with tubular latch and built-in key override

## Technical Information

<b>Construction:</b>	Cast housing & knob with s/steel buttons
<b>Buttons:</b>	14 buttons; 12 coded, 1 clear & 1 code change
<b>Finishes:</b>	Satin Chrome
<b>Fixings:</b>	1 sprung spindle (120mm) and fixings to suit door thickness up to 60mm
<b>Door type:</b>	Suitable for all internal light to medium duty doors
<b>Deadlatch:</b>	Anti-thrust pin ensures automatic locking when the door is closed
<b>Door Thickness:</b>	60mm on standard fixings, 85mm on XL fixing kit (Part no. S227)
<b>Cylinder:</b>	Yale / Schlage 6 pin removable cylinder and x3 keys to suit

## Dimensions



**BL2700 ECP Keypad**

**BL2700 ECP Inside handle**

2000 ECP  
SERIES









# BL2900 ECP Series



The BL2900 ECP series is a retro-fit solution for our standard BL2000 ECP series. This comes with an easy grip anti-ligature knob turn keypad not often seen with models of this size.

The BL2900 ECP series has been cycle tested to 50,000 operations and comes with an optional holdback function on most models. With all ECP models, this comes with an "on the door" code change function, allowing a quick and easy recode in as little as 10 seconds.

## FEATURES

-  On door code change
-  Optional holdback
-  Over 4000+ combinations
-  Reversible
-  Cycle tested 50k+
-  Optional code change disabling plug

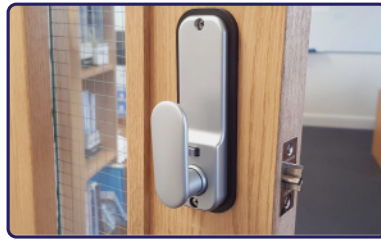
## Series Options

- Tubular latch (BL2901 ECP /BL2921 ECP)**  
 50mm/ 60mm /70mm backset tubular latch with 12.5mm latch bolt and anti-thrust pin to prevent forced entry
- Holdback option (BL2901 ECP)**  
 Optional holdback functio allowing the inside handle to remain held open, allowing free access without the need to operate the handle



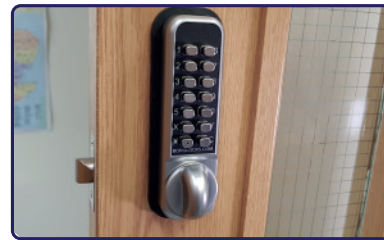
### BL2901 ECP (Non-Holdback)

Anti-ligature knob keypad with a non holdback paddle handle and tubular latch



### BL2901 ECP (Holdback)

Anti-ligature knob keypad with a tubular latch and internal paddle handle with holdback function



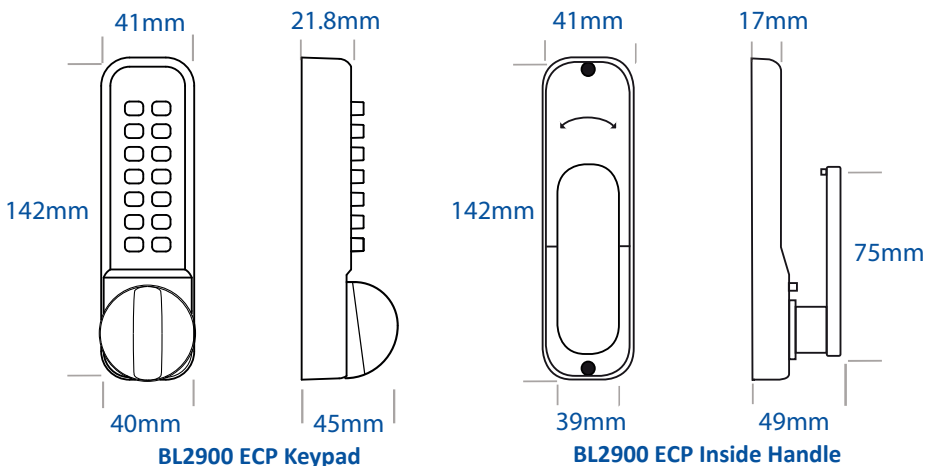
### BL2921 ECP

Back to back Anti-ligature knob keypads supplied with a tubular latch

## Technical Information

<b>Construction:</b>	Cast housing & knob with s/steel buttons
<b>Buttons:</b>	14 buttons; 12 coded, 1 clear & 1 code change
<b>Finishes:</b>	Satin Chrome
<b>Fixings:</b>	2 flat bladed spindles (80 & 100mm) and fixings to suit door thickness up to 60mm
<b>Door type:</b>	Suitable for all internal light to medium duty doors
<b>Deadlatch:</b>	Anti-thrust pin ensures automatic locking when the door is closed
<b>Door Thickness</b>	60mm on standard fixings, 85mm on XL fixing kit (Part no. S227)

## Dimensions



**3000 ECP  
SERIES**










## BL3000 'Mini' ECP Series



Designed as a compact access control for box section metal gates, the 'mini' ECP range provides the ideal solution. Currently on the market are two options; the BL3030 ECP with back to back keypads or the BL3080 ECP with a keypad one side and a push or pull pad on the other.

The 'Mini' gate locks are supplied with "on the door" code change button, allowing a quick but secure code change without the hassle of removal. The locks are suited for 30-60mm box section gates and comes with the relevant M8 fixing bolts. The standard fixing centres are 122mm but an adaptor plate is available when retro fitting to gates with 140mm centres.

### FEATURES

-  On gate code change
-  1000 hours salt spray tested
-  Built in reversible push / pull pad (BL3080 only)
-  Designed for metal box section gates
-  Over 1000+ combinations
-  Reversible on site
-  Concealed code change shield



## Series Options



- Back to back keypads (BL3030 ECP)**  
 Back to back keypads requiring codes on both entry and exit. Suitable for 122mm fixing centres and gate profiles between 30-60mm. Comes with a code button shroud pre-fitted.
- Reversible push /pull pad (BL3080 ECP)**  
 Single sided push/pull pad, allowing free entry from the inside of the unit. Suited for 122mm fixing centres and comes with a coding button shroud to help restrict access to the mechanism.
- Adaptor plate (S331)**  
 An adaptor plate is available when retro-fitting on a gate with 140mm fixing centres. The latch bolt adjustment length is reduced by 5mm when fitted with this adaptor.



**BL3030 ECP**

Back to back mini gate lock with knob keypads & concealed code change



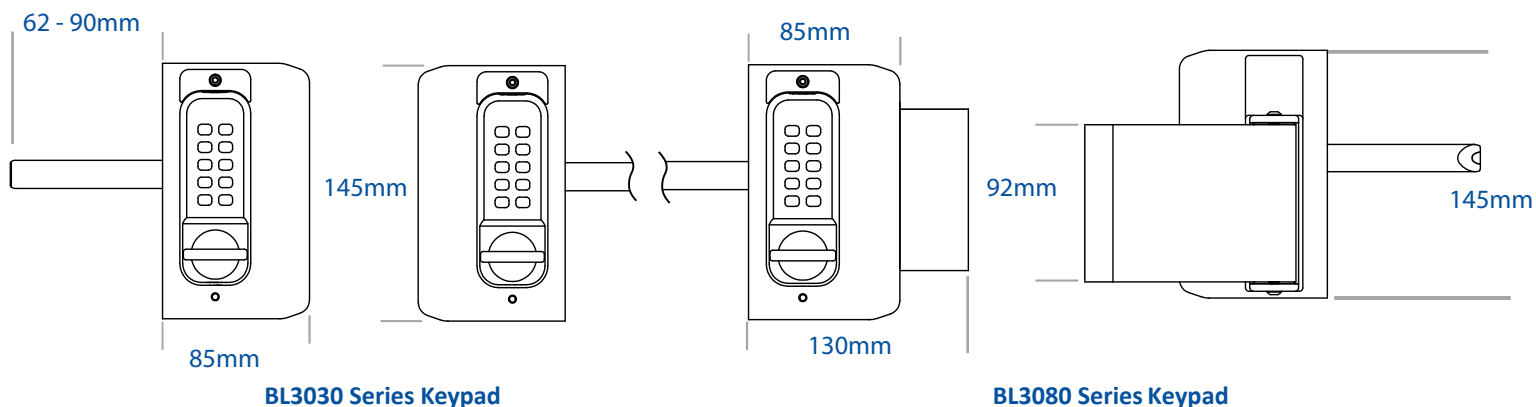
**BL3080 ECP**

Mini gate lock with knob keypad, inside push/pull pad & concealed code change

## Technical Information

<b>Construction:</b>	Cast housing, locking assembly & knob w. S/steel buttons & Locking mechanism
<b>Buttons:</b>	11 button; 9 coded, 1 clear & 1 code change
<b>Finish:</b>	Black marine grade external coating (MG Pro 2)
<b>Fixings:</b>	Forend fixing system, M8 sleeved fixing bolts & supplied with rim-fixed strike plate
<b>Gate type:</b>	Suitable for external metal box section gates with 30-60mm profiles
<b>Inside section:</b>	Back to back reversible keypads (BL3030 ECP) or reversible push/pull pad (BL3080 ECP)
<b>Fixing centres:</b>	122mm as standard, 140mm with optional adaptor plate (S331)

## Dimensions



**3100 ECP  
SERIES**





## BL3100 ECP Series



The BL3100 ECP series combines our specially designed lockcase with our proven marine grade keypads, providing the ideal solution for metal box section gates. With the new MG PRO 2 external finish, they are now even harder wearing against salt water and UV.

Each lock is supplied with a fully adjustable latchbolt, designed to suit box section metal gates between 30-60mm as standard. An extension bolt is available to suit profiles up to 120mm. Our new patented ECP coding chamber allows quick and secure easy recoding without the need to remove the unit from the gate.

### FEATURES

-  On gate code change
-  1000 hours salt spray tested
-  Anti-climb design
-  Designed for metal box section gates
-  Over 4000+ combinations
-  Reversible on site
-  Optional code change disabling plug

## Series Options



- **Single sided keypads (BL3100 ECP /BL3100 DKO ECP)**  
Single sided keypad with internal paddle handles and optional holdback functionality.
- **Back to back keypads (BL3130 ECP /BL3130 DKO ECP)**  
Back to back keypads requiring codes on both entry and exit. Both sides work on a separate coding chamber.
- **Deadbolt key Override (DKO models)**  
Standard 60mm euro cylinder built into the locking mechanism, providing key override as well as the ability to deadbolt the latch as required. Accessible from both sides.
- **XL Latchbolt (S311b)**  
This is an optional part to retrofit onto existing setups. This is for gates with a thicker profile or a larger distance to cover, allowing it to suit up to 120mm profiles.



**BL3100 ECP**

Metal gate lock with knob turn ECP keypad, 65-80mm latchbolt & inside holdback paddle handle



**BL3130 ECP**

Metal gate lock with back to back knob turn ECP keypads & 65-80mm latchbolt



**BL3100 DKO ECP**

Metal gate lock with knob turn ECP keypad, 65-80mm latchbolt, inside holdback paddle handle & key override



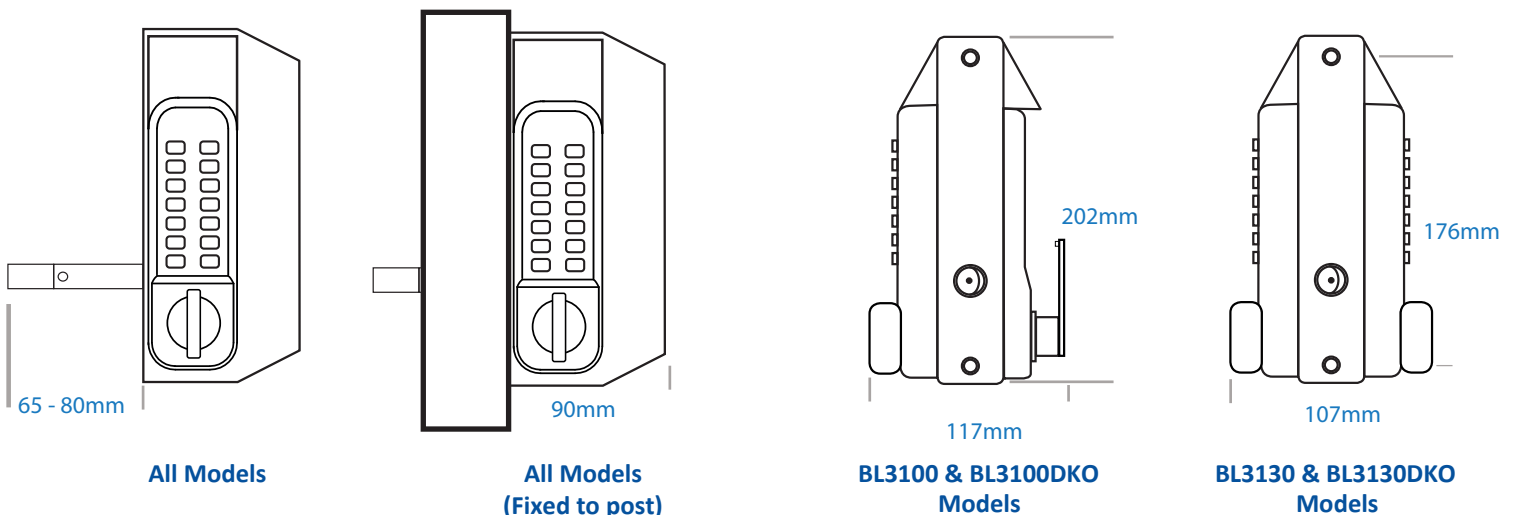
**BL3130 DKO ECP**

Metal gate lock with back to back knob turn ECP keypads, 65-80mm latchbolt & key override

## Technical Information

<b>Construction:</b>	Cast housing and handle with s/steel buttons
<b>Buttons:</b>	14 buttons; 12 coded, 1 clear & 1 code change
<b>Finish:</b>	Black marine external grade coating (MG Pro 2)
<b>Fixings:</b>	Forend fixing system, M8 sleeved fixing bolts & supplied with rim-fixed strike plate
<b>Gate type:</b>	Suitable for metal box section gates, 30-60mm profiles (120mm w/ XL latchbolt S311B)
<b>Inside section:</b>	Back to back keypads (BL3130 /BL3130DKO models) or internal paddle handle (BL3100 /BL3100DKO models)
<b>Fixing centres:</b>	176mm fixing centres

## Dimensions





**3400 ECP  
SERIES**











# BL3400 ECP Series



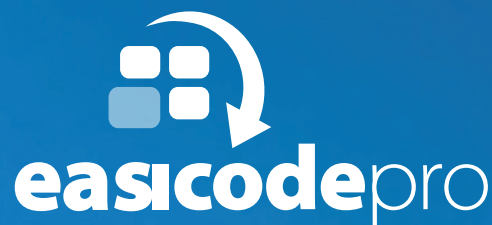
The BL3400 ECP series combines our specially designed lockcase with our proven marine grade keypads, providing the ideal solution for metal box section gates. With the new MG PRO 2 external finish, they are now even harder wearing against salt water and UV.

Each lock is supplied with a fully adjustable latchbolt, designed to suit box section metal gates between 30-60mm as standard. An extension bolt is available to suit profiles up to 120mm. Our new patented ECP coding chamber allows quick and secure easy recoding without the need to remove the unit from the gate.

## FEATURES

-  On gate code change
-  1000 hours salt spray tested
-  Designed for metal box section gates
-  Reversible on site
-  Free turning handle, permanently clutched until correct code entry
-  Over 4000+ combinations
-  Optional code change disabling plug
-  Anti-climb design

## Series Options



- **Single sided keypads (BL3400 ECP /BL3400 DKO ECP)**  
Single sided keypad with internal paddle handles and optional holdback functionality.
- **Back to back keypads (BL3430 ECP /BL3430 DKO ECP)**  
Back to back keypads requiring codes on both entry and exit. Both sides work on a separate coding chamber.
- **Key Override (DKO models)**  
Standard euro cylinder built into the lock mechanism, providing key override as well as the ability to deadbolt the latch as required. Accessible from both sides.
- **XL Latchbolt (S311b)**  
This is an optional part to retrofit onto existing setups. This is for gates with a thicker profile or a larger distance to cover, allowing it to suit up to 120mm profiles.



**BL3400 ECP**

Metal gate lock with free turning lever ECP keypad, 65-80mm latchbolt & inside holdback lever handle



**BL3430 ECP**

Metal gate lock with back to back free turning lever ECP keypads & 65-80mm latchbolt



**BL3400 DKO ECP**

Metal gate lock with free turning lever ECP keypad, 65-80mm latchbolt, inside holdback lever handle & key override



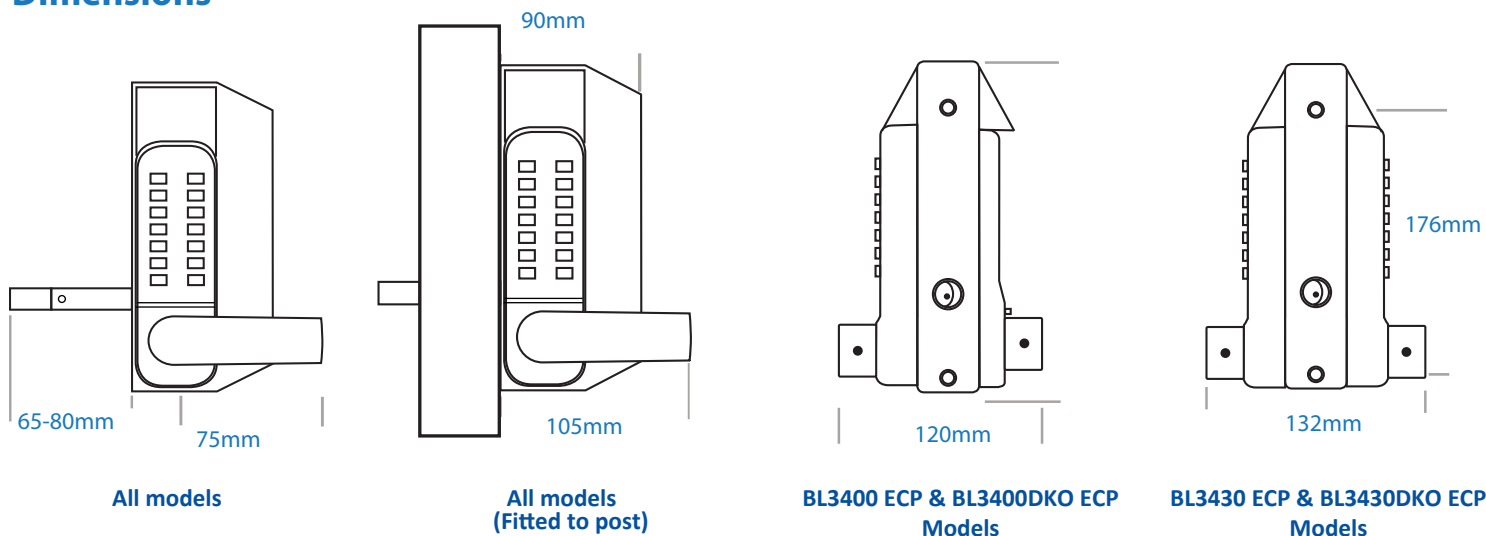
**BL3430 DKO ECP**

Metal gate lock with back to back free turning lever ECP keypads, 65-80mm latchbolt & key override

## Technical Information

<b>Construction:</b>	Cast house and handle with s/steel buttons
<b>Buttons:</b>	14 buttons; 12 coded, 1 clear & 1 code change
<b>Finish:</b>	Black marine external grade coating (MG Pro 2)
<b>Fixings:</b>	Forend fixing system, M8 sleeved fixing bolts & supplied with rim-fixed strike plate
<b>Gate type:</b>	Suitable for metal box section gates, 30-60mm profiles (120mm w/ XL latchbolt S311B)
<b>Fixing profiles:</b>	Back to back keypads (BL3130 /BL3130DKO models) or internal paddle handle (BL3100 /BL3100DKO models)
<b>Fixing centres:</b>	176mm fixing centres

## Dimensions



**4400 ECP  
SERIES**







# BL4400 ECP Series



The BL4400 series is designed specifically for most external applications. All the keypads have free turning lever handles, until the correct code is entered, in order to minimise the risk of damage through misuse or abuse.

The new MG Pro 2 finish is very hard wearing, providing greater resistance to harsh weather environments and UV. All units are supplied with fixing kits to suit doors and timber gates up to 85mm thick.

## FEATURES

-  On door code change
-  Optional holdback
-  Over 4000+ combinations
-  Reversible
-  Cycle tested 50k+
-  Optional code change disabling plug
-  1000 hours salt spray tested

## Series Options



- Tubular latch (BL4401 ECP /BL4441 ECP)**  
 60mm backset, external grade tubular latch with 12.5mm latch bolt and anti-thrust pin to prevent forced entry.
- Rim fixed slam latch (BL4409 ECP)**  
 Fitted with a rim-fixed slam latch as opposed to a standard mortice latch and handle. Designed for situations where the door may be too narrow to accommodate a mortice latch



**BL4401 ECP**

Lever turn keypad lock with an internal lever handle and tubular latch



**BL4441 ECP**

Back to back lever turn keypad locks and tubular latch



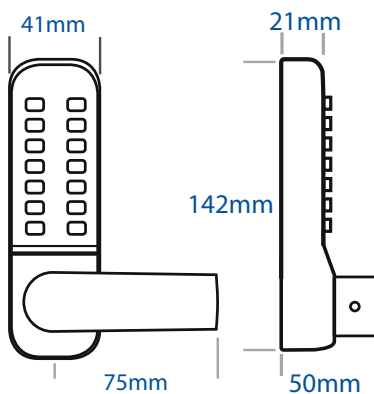
**BL4409 ECP**

Lever turn keypad lock with internal rim-fixed deadbolt

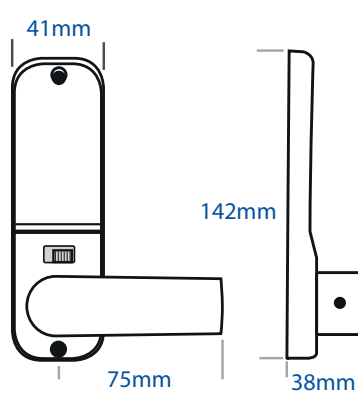
## Technical Information

<b>Construction:</b>	Cast housing and handle with s/steel buttons
<b>Buttons:</b>	14 buttons; 12 coded, 1 clear & 1 code change
<b>Finish:</b>	Black marine external grade coating (MG Pro 2)
<b>Fixings:</b>	1 flat bladed sprung spindle (108mm) and M4 screw fixings
<b>Door type:</b>	Suitable for external medium duty doors and gates
<b>Door thickness:</b>	Fixings to suit door thickness up to 85mm
<b>Holdback mode:</b>	Holdback only available on BL4401 ECP models

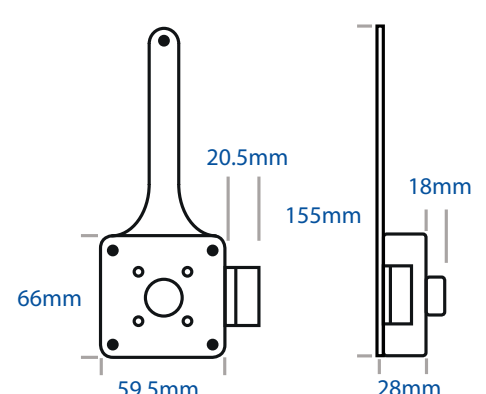
## Dimensions



**BL4400 ECP Series keypad**



**BL4400 ECP Series inside handle**



**BL4409 ECP Series rim-fixed slam latch**

5000 ECP  
SERIES



# BL5000 ECP Series



The BL5000 ECP series is a very versatile range of medium-heavy duty keypads. They are offered in a number of different variants as well as being suitable for retro-fitting third party lockcases.

The soft grip 22mm diameter round bar handle is free turning until the correct code is entered in order to alleviate wear as well as preventing misuse and abuse.

## FEATURES

-  On door code change
-  Cycle tested 100k+
-  Optional Free passage mode
-  Free turning handle
-  Optional code change disabling plug
-  Over 1000+ combinations
-  Reversible on site

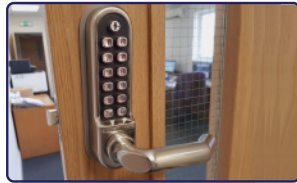
## Series Options

- **Tubular latch (BL5001 ECP /BL5051 ECP)**  
60mm /70mm backset tubular latch with 12.5mm latch bolt and anti-thrust pin to prevent forced entry
- **Sash lockcase (BL5003 ECP /BL5053 ECP)**  
60 x 72mm lockcase with 12.5mm latch bolt and euro profile hole for third party key cylinder to allow deadlocking
- **Escape Lockcase (BL5004 ECP)**  
60 x 72mm escape lockcase with 12.5mm latch bolt and unrestricted inside handle if deadlocked with third party key cylinder
- **Panic Hardware (BL5008 ECP)**  
U-plate fixing kit & spindles designed to work in conjunction with third party panic hardware and push pads
- **Night Latch (BL5009 ECP)**  
60 x 72mm mortice nightlatch with 12.5mm latch bolt and euro profile hole for third party key cylinder to override keypad



**BL5000 ECP**

Round bar lever keypad with inside handle unit (No device supplied)



**BL5001 ECP**

Round bar lever keypad with an inside handle unit and tubular latch



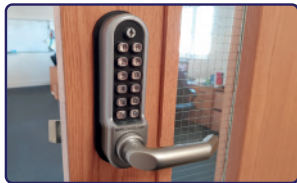
**BL5003 ECP**

Round bar lever keypad with an inside handle unit and a lockcase



**BL5004 ECP**

Round bar lever keypad with an inside handle unit and escape lockcase



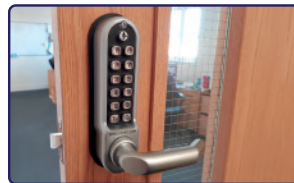
**BL5008 ECP**

Round bar lever keypad with fixing kit and spindles to fit with third party panic hardware



**BL5009 ECP**

Round bar lever keypad with an inside handle unit and mortice nightlatch



**BL5051 ECP**

Back to back round bar lever keypads with a tubular latch



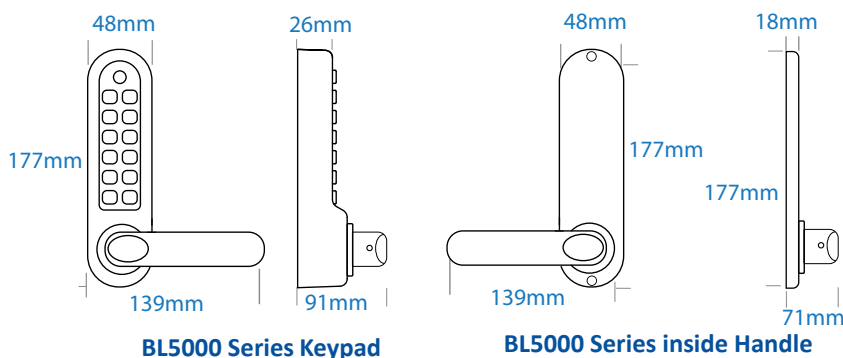
**BL5003 ECP**

Back to back round bar lever keypads with a lockcase

## Technical Information

<b>Construction</b>	Cast housing & handle with s/steel buttons
<b>Buttons</b>	13 buttons; 12 s/steel 10 x 11mm indented and engraved & 1 code change button
<b>Finishes</b>	Satin Stainless, Satin Chrome
<b>Fixings</b>	8mm bladed spindle and M4 s/steel fixings
<b>Door type</b>	Medium-heavy timber, steel or composite doors
<b>Door Thickness</b>	60mm on standard fixings, 85mm on XL fixing kit
<b>External Grading</b>	Internal or sheltered external (satin stainless finish only)

## Dimensions



**5100 ECP  
SERIES**



# BL5100 ECP Series



The BL5100 ECP series is a medium-heavy duty keypad designed to particularly for applications where misuse can be expected. The ergonomic knob design, whilst easy to grip, is very difficult to over rotate.

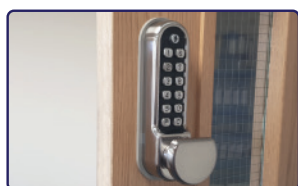
Available with an optional free passage mode and the ECP coding chamber, offering an on the door code change, cutting the hassle of recoding a lock and allowing you to complete the procedure in as little as 10 seconds.

## FEATURES

-  On door code change
-  Cycle tested 100k+
-  Optional Free passage mode
-  Optional code change disabling plug
-  Over 1000+ combinations
-  Reversible on site
-  Free turning handle

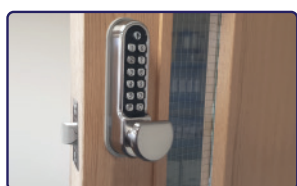
## Series Options

- **Tubular latch (BL5101 ECP /BL5151 ECP)**  
60mm /70mm backset tubular latch with 12.5mm latch bolt and anti-thrust pin to prevent forced entry
- **Sash lockcase (BL5103 ECP)**  
60 x 72mm lockcase with 12.5mm latch bolt and euro profile hole for third party key cylinder to allow deadlocking
- **Escape Lockcase (BL5104 ECP)**  
60 x 72mm escape lockcase with 12.5mm latch bolt and unrestricted inside handle if deadlocked with third party key cylinder
- **Panic Hardware (BL5108 ECP)**  
U-plate fixing kit & spindles designed to work in conjunction with third party panic hardware and push pads
- **Night Latch (BL5109 ECP)**  
60 x 72mm mortice nightlatch with 12.5mm latch bolt and euro profile hole for third party key cylinder to override keypad



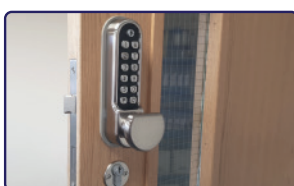
**BL5100 ECP**

Knob turn keypad with a inside handle unit (no device supplied)



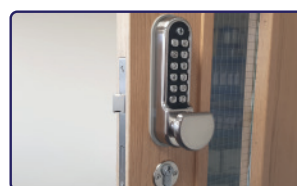
**BL5101 ECP**

Knob turn keypad with a inside handle unit and tubular latch



**BL5103 ECP**

Knob turn keypad with a inside handle unit and 60mm backset escape lockcase



**BL5104 ECP**

Knob turn keypad with a inside handle unit and 60mm backset escape lockcase



**BL5108 ECP**

Knob turn keypad with fixing kit and spindle to fit with third party panic hardware



**BL5109 ECP**

Knob turn keypad with a inside handle unit and 60mm backset mortice nightlatch



**BL5111 ECP**

Back to back knob turn keypads with a tubular latch



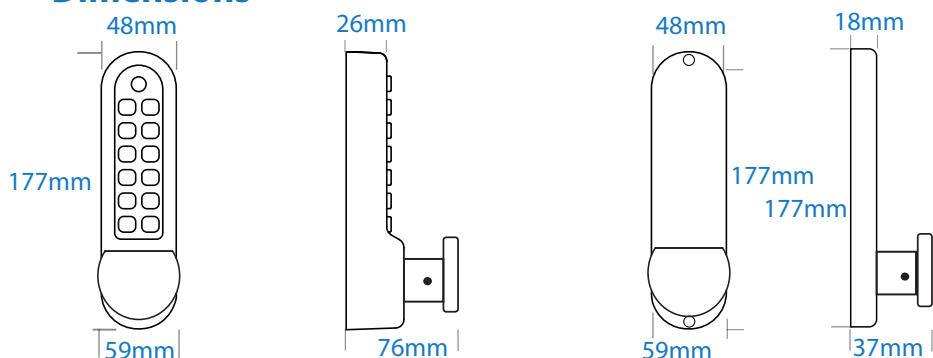
**BL5151 ECP**

Knob turn keypad with inside handle unit and 60mm backset escape lockcase

## Technical Information

<b>Construction</b>	Cast housing & knob handle with s/steel buttons
<b>Buttons</b>	13 buttons; 12 s/steel 10 x 11mm indented and engraved & 1 code change button
<b>Finishes</b>	Satin Stainless, Satin Chrome
<b>Fixings</b>	8mm bladed spindle and M4 s/steel fixings
<b>Door type</b>	Medium-heavy timber, steel or composite doors
<b>Door Thickness</b>	60mm on standard fixings, 85mm on XL fixing kit
<b>External Grading</b>	Internal or sheltered external (satin stainless finish only)

## Dimensions



**BL5100 Series Keypad**

**5100 Series Inside Handle**



MG Pro  
SERIES



## BL5000 MG Pro ECP Series



The BL5000 MG Pro ECP series is a range of marine grade keypads designed for medium to heavy duty applications. All of the critical internal components are made from the highest grade of stainless steel to resist corrosion and wear.

And with the new MG Pro 2 finish, which is even harder wearing, makes the keypads ideal for fitting into environments where harsh weather and conditions is to be expected.

### FEATURES

-  On the door code change
-  Optional Free passage mode
-  Over 1000 code combinations
-  Free turning handle
-  1000 hours salt spray tested
-  Cycle tested 100k+
-  Reversible on site
-  Optional code change disabling plug

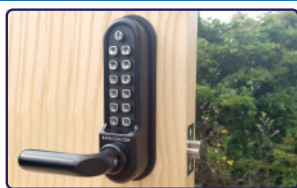
## Series Options

- **Tubular latch (BL5201 ECP /BL5251 ECP /BL5701 ECP /BL5771 ECP)**  
60mm backset, external grade tubular latch with 12.5mm latch bolt and anti-thrust pin to prevent forced entry.
- **Back to back keypads (BL5251 ECP /BL5771 ECP)**  
Fitted with a standard euro cylinder override, allowing quick and easy entry without the need for a code.



**BL5200 ECP**

Stubby round bar lever keypad lock with an internal lever handle (No device supplied)



**BL5201 ECP**

Stubby round bar lever keypad lock with an internal lever handle and a tubular latch



**BL5251 ECP**

Back to back stubby round bar lever keypad locks with a tubular latch



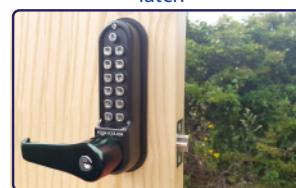
**BL5700 MG Pro ECP**

Flat bar lever keypad lock with an internal lever handle and built-in key override (No device supplied)



**BL5701 MG Pro ECP**

Flat bar lever keypad lock with an internal lever handle and 60mm tubular latch and built-in key override



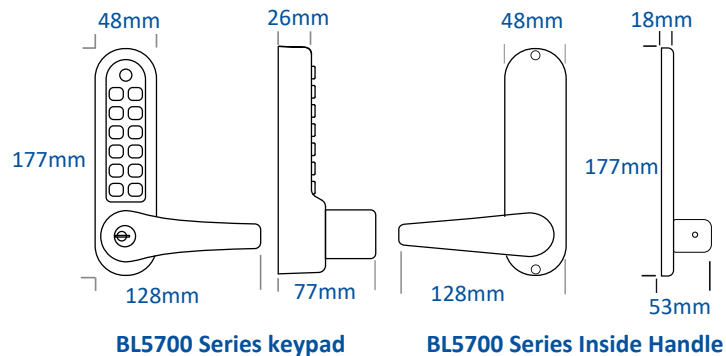
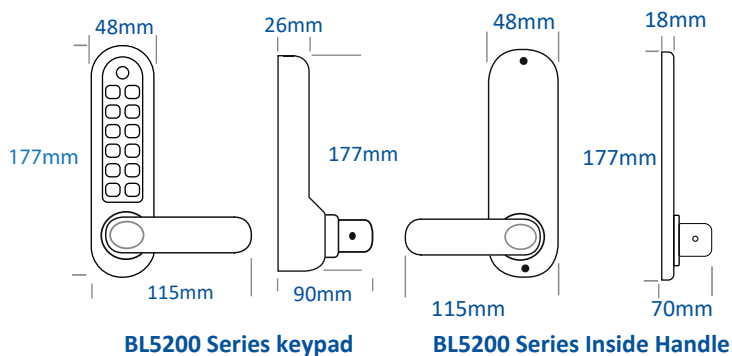
**BL5771 MG Pro ECP**

Back to back flat bar lever keypad locks and 60mm tubular latch and built-in key override

## Technical Information

<b>Construction:</b>	Cast housing & handle with s/steel buttons
<b>Buttons:</b>	13 buttons; 12 s/steel 10 x 11mm indented and engraved
<b>Finish:</b>	Black marine grade external coating (MG Pro 2)
<b>Fixings:</b>	8mm bladed spindle and M4 s/steel fixings
<b>Door type:</b>	Suit all door types both internal and external, medium heavy duty applications
<b>Door thickness:</b>	Fixings to suit door thickness up to 85mm

## Dimensions



5400 ECP  
SERIES



# BL5400 ECP Series



The BL5400 ECP series is a very versatile range of medium-heavy duty keypads. They are offered in a number of different variants as well as being suitable for retro-fitting third party lockcases.

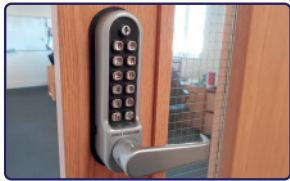
The contemporary flat bar lever handle is free turning until the correct code is entered in order to alleviate wear as well as preventing misuse and abuse.

## FEATURES

-  On door code change
-  Cycle tested 100k+
-  Optional Free passage mode
-  Free turning handle
-  Over 1000+ combinations
-  Reversible on site
-  Optional code change disabling plug

## Series Options

- **Tubular latch (BL5401 ECP /BL5451 ECP)**  
60mm /70mm backset tubular latch with 12.5mm latch bolt and anti-thrust pin to prevent forced entry
- **Sash lockcase (BL5403 ECP)**  
60 x 72mm lockcase with 12.5mm latch bolt and euro profile hole for third party key cylinder to allow deadlocking
- **Escape Lockcase (BL5404 ECP)**  
60 x 72mm escape lockcase with 12.5mm latch bolt and unrestricted inside handle if deadlocked with third party key cylinder
- **Panic Hardware (BL5408 ECP)**  
U-plate fixing kit & spindles designed to work in conjunction with third party panic hardware and push pads
- **Night Latch (BL5409 ECP)**  
60 x 72mm mortice nightlatch with 12.5mm latch bolt and euro profile hole for third party key cylinder to override keypad



**BL5400 ECP**

Flat bar lever keypad with an inside handle unit (no device supplied)



**BL5401 ECP**

Flat bar lever keypad with an inside handle unit and tubular latch



**BL5403 ECP**

Flat bar lever keypad with a inside handle unit and lockcase



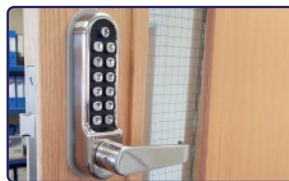
**BL5404 ECP**

Flat bar lever keypad with inside handle unit and escape lockcase



**BL5408 ECP**

Flat bar lever keypad with fixing kit and spindles to fit with third party panic hardware



**BL5409 ECP**

Flat bar lever keypad with inside handle unit and mortice nightlatch



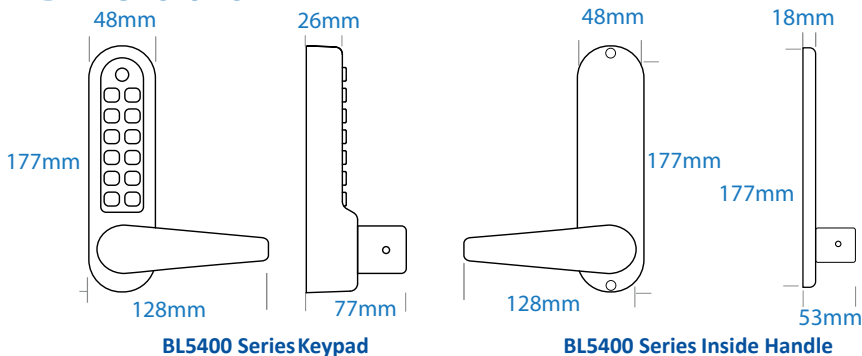
**BL5451 ECP**

Back to back flat bar lever keypads with free passage mode and tubular latch

## Technical Information

<b>Construction</b>	Cast housing & handle with s/steel buttons
<b>Buttons</b>	13 buttons; 12 s/steel 10 x 11mm indented and engraved & 1 code change button
<b>Finishes</b>	Satin Stainless, Satin Chrome
<b>Fixings</b>	8mm bladed spindle and M4 s/steel fixings
<b>Door type</b>	Medium-heavy timber, steel or composite doors
<b>Door Thickness</b>	60mm on standard fixings, 85mm on XL fixing kit
<b>External Grading</b>	Internal or sheltered external (satin stainless finish only)

## Dimensions



**5700 ECP  
SERIES**







# BL5700 ECP Series



The BL5700 ECP is a heavy duty keypad designed specifically for hospitals and similar busy environments.

The 10 second outdoor code change ensures the access code can be changed regularly to maintain security. For more senior members of staff, keying alike all of the cylinders ensures that key members of staff can move around the facility without the need to remember the codes.

## FEATURES

-  On door code change
-  Key by-pass
-  Optional free passage mode
-  Cycle tested 100k+
-  Free turning handle
-  Over 1000+ combinations
-  Reversible on site
-  Optional code change disabling plug

# Series Options



- **Tubular latch (BL5701 ECP /BL5771 ECP)**  
60mm /70mm backset tubular latch with 12.5mm latch bolt and anti-thrust pin to prevent forced entry
- **Back to Back keypads (BL5771 ECP)**  
60mm/70mm tubular latch with 12.5mm latch bolt with back to back keypads and built-in key override both sides



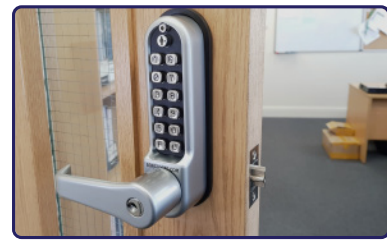
**BL5700 ECP**

Flat bar lever keypad with free passage mode and inside handle unit (no device supplied)



**BL5701 ECP**

Flat bar lever keypad with free passage mode, inside handle unit and tubular latch



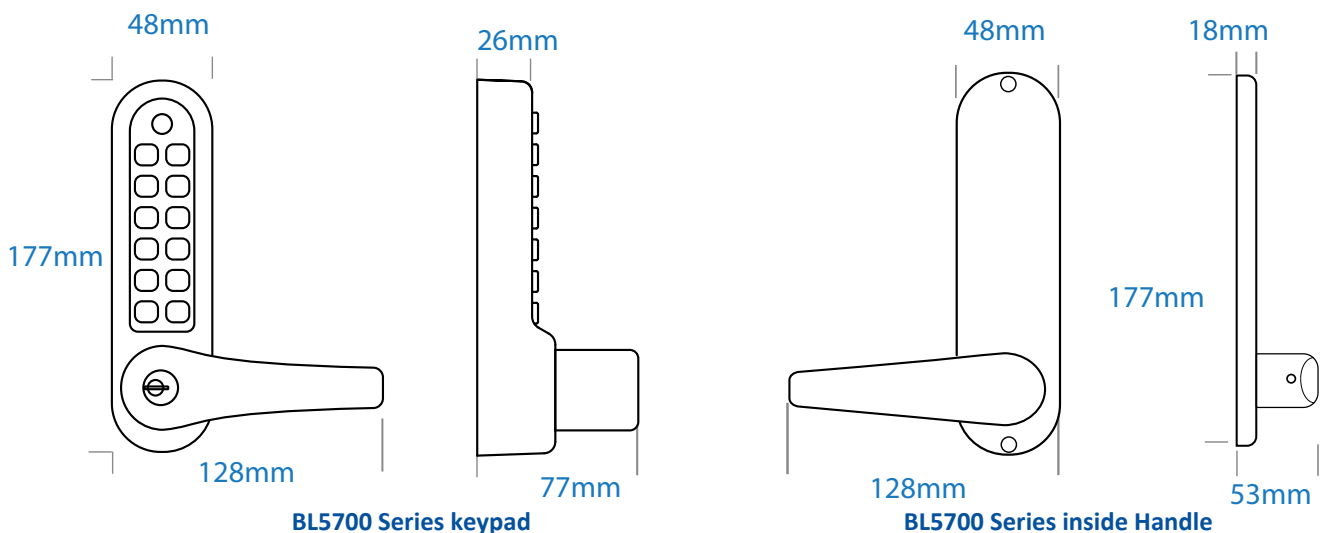
**BL5771 ECP**

Flat bar lever keypad with free passage mode, inside handle unit and tubular latch

## Technical Information

<b>Construction</b>	Cast housing & handle with s/steel buttons
<b>Buttons</b>	13 buttons; 12 s/steel 10 x 11mm indented and engraved & 1 code change button
<b>Finishes</b>	Satin Stainless, Satin Chrome
<b>Fixings</b>	8mm bladed spindle and M4 s/steel fixings
<b>Door type</b>	Medium-heavy timber, steel or composite doors
<b>Door Thickness</b>	60mm on standard fixings, 85mm on XL fixing kit
<b>External Grading</b>	Internal or sheltered external (satin stainless finish only)

## Dimensions



**6000  
SERIES**



# BL6000 Series

**The BL6000 series is a range of heavy duty keypads which has a single column of 8 buttons, incorporating a double button code press, allowing each digit to be set in the twice. This design allows over 2000 genuine combinations.**

This series is designed to be fitted onto narrow stile door sections, including UPVC, aluminium, composite or wood. This range is also compatible with most multipoints, with the BL6100 variant designed to work with 90 & 92mm centred multipoint locking systems.

## FEATURES

-  Designed for UPVC doors
-  Cycle tested 100k+
-  Optional Free passage mode
-  Free turning handle
-  Over 2100+ combinations
-  Reversible on site

## Series Options

- **Sash lockcase (BL6003)**  
60 x 72mm lockcase with 12.5mm latch bolt and euro profile hole for third party key cylinder to allow deadlocking
- **Escape Lockcase (BL6004)**  
60 x 72mm escape lockcase with 12.5mm latch bolt and unrestricted inside handle if deadlocked with third party key cylinder
- **Night Latch (BL6009)**  
60 x 72mm mortice nightlatch with 12.5mm latch bolt and euro profile hole for third party key cylinder to override keypad
- **Extension plate (BL6100)**  
Extension plate incorporating escutcheon behind keypad & inside handle, allowing it to suit 90/92 centre multi-point locks.



**BL6000**

Round bar lever keypad with free passage mode and inside handle unit (no device supplied)



**BL6003**

Round bar lever keypad with free passage mode, inside handle unit and lockcase



**BL6004**

Round bar lever keypad with free passage mode, inside handle unit and escape lockcase



**BL6009**

Round bar lever keypad with free passage mode, inside handle unit and mortice nightlatch



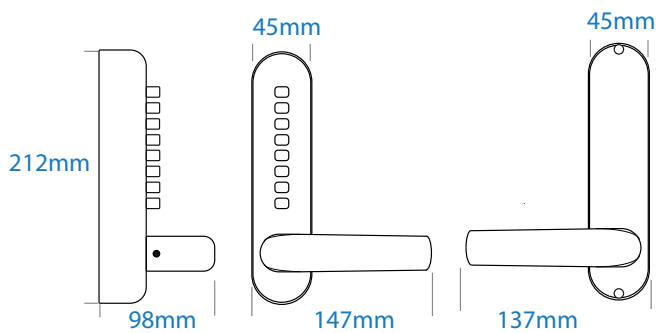
**BL6100**

Back to back round bar lever keypads with free passage mode extension plate including escutcheon behind both to retrofit on 90/92 centre multipoint locks

## Technical Information

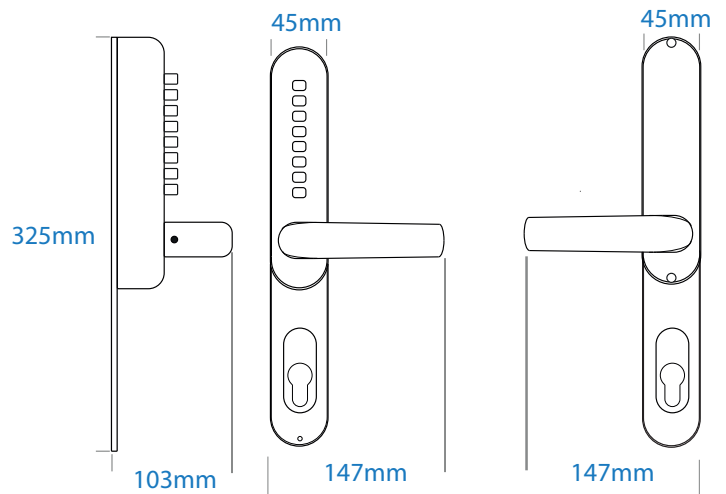
<b>Construction</b>	Cast housing & handle with s/steel buttons
<b>Buttons</b>	8 buttons; 7 s/steel 10 x 11mm indented and engraved & 1 free passage button
<b>Finishes</b>	Satin Stainless, white
<b>Fixings</b>	8mm square and M4 s/steel fixings
<b>Door type</b>	Heavy duty timber, steel, UVPC and composite doors
<b>Door Thickness</b>	85mm on standard fixings
<b>External Grading</b>	Internal or external

## Dimensions



**BL6000 keypad**

**BL6000 inside handle**



**BL6100 keypad**

**BL6100 inside handle**



7000  
SERIES




## BL7700 ECP Series



**The BL7000 is an established and reliable, heavy duty lock designed for industrial and high traffic areas. This comes with on the door code changing, available from the inside handle and the ability to put it into a free passage mode.**

Available with a wide range of different latch and lockcase solutions as well as a modification to the handle type to make it a knob turn. This keypad is suitable for external situations and boasts a 100,000 cycle test, proving its strength and reliability. Designed to act as a retrofit upgrade of the BL5000 series as well as the Unican 1000 & 5000 models.

### FEATURES

-  On the door code change
-  Over 2000 code combinations
-  Cycle tested 100k+
-  Heavy duty
-  Non-handed
-  Free turning handle

## Series Options

- **Tubular latch (BL7000 ECP /BL7700 ECP)**  
60mm /70mm backset tubular latch with 12.5mm latch bolt and anti-thrust pin to prevent forced entry
- **Sash lockcase (BL7003 ECP /BL7703 ECP)**  
60 x 72mm lockcase with 12.5mm latch bolt and euro profile hole for third party key cylinder to allow deadlocking
- **Key Override (BL7700 ECP /BL7701 ECP)**  
Built-in ISFC key core in the handle allows the keypad to be freely by-passed and deadlocked without the use of a secondary mechanism.



**BL7000 ECP**

Heavy-duty flat bar lever keypad with inside handle unit.



**BL7001 ECP**

Heavy-duty flat bar lever keypad with inside handle unit and tubular latch



**BL7003 ECP**

Heavy-duty flat bar lever keypad with inside handle unit and sash lock



**BL7700 ECP**

Heavy-duty flat bar lever keypad with inside handle unit and key override and key deadbolt.



**BL7701 ECP**

Heavy-duty flat bar lever keypad with inside handle unit, tubular latch and key override and key deadbolt.



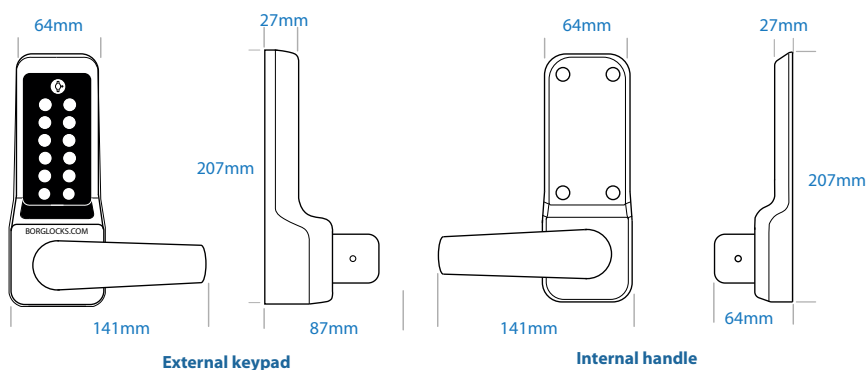
**BL7703 ECP**

Heavy-duty flat bar lever keypad with inside handle unit, sash lock and key override and key deadbolt.

## Technical Information

<b>Construction</b>	Cast housing and handle
<b>Buttons</b>	9mm round dished stainless steel buttons
<b>Finishes</b>	Satin Stainless
<b>Fixings</b>	8mm square spindle, and M4 s/steel fixings to suit doors up to 60mm thickness
<b>Door type</b>	Suit all door types both internal and external, heavy duty applications
<b>Deadlatch</b>	Anti-thrust pin ensures automatic locking when the door is closed
<b>Cylinder</b>	SFIC key cylinder

## Dimensions



7000  
SERIES




# BL7700 MG Pro ECP Series

The BL7000 is an established and reliable, heavy duty lock designed for industrial and high traffic areas. This comes with on the door code changing, and the ability to put it into a free passage mode. This has a black, MG Pro finish for external fittings, providing a unit which comes with UV protection and is salt water tested for 1000 hours.

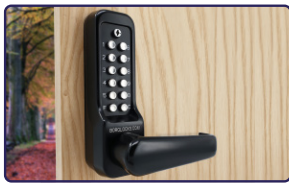
Available with a wide range of different latch and lockcase solutions as well as a modification to the handle type to make it a knob turn. This keypad is suitable for external situations and boasts a 100,000 cycle test, proving its strength and reliability. Designed to act as a retrofit upgrade of the BL5000 series as well as the Unican 1000 & 5000 models.

## FEATURES

-  On the door code change
-  Over 2000 code combinations
-  Cycle tested 100k+
-  Heavy duty
-  Non-handed
-  Free turning handle
-  External grade

## Series Options

- **Tubular latch (BL7000 ECP MG Pro /BL7700 ECP MG Pro)**  
60mm /70mm backset tubular latch with 12.5mm latch bolt and anti-thrust pin to prevent forced entry
- **Sash lockcase (BL7003 ECP MG Pro /BL7703 ECP MG Pro)**  
60 x 72mm lockcase with 12.5mm latch bolt and euro profile hole for third party key cylinder to allow deadlocking
- **Key Override (BL7700 ECP MG Pro /BL7701 ECP MG Pro)**  
Built-in ISFC key core in the handle allows the keypad to be freely by-passed and deadlocked without the use of a secondary mechanism.



**BL7000 ECP**

Heavy-duty flat bar lever keypad with inside handle unit.



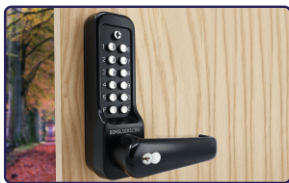
**BL7001 ECP**

Heavy-duty flat bar lever keypad with inside handle unit and tubular latch



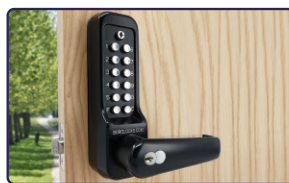
**BL7003 ECP**

Heavy-duty flat bar lever keypad with inside handle unit and sash lock



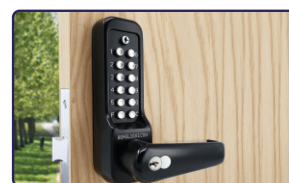
**BL7700 ECP**

Heavy-duty flat bar lever keypad with inside handle unit and key override and key deadbolt.



**BL7701 ECP**

Heavy-duty flat bar lever keypad with inside handle unit, tubular latch and key override and key deadbolt.



**BL7703 ECP**

Heavy-duty flat bar lever keypad with inside handle unit, sash lock and key override and key deadbolt.

## Technical Information

<b>Construction</b>	Cast housing and handle
<b>Buttons</b>	9mm round dished stainless steel buttons
<b>Finishes</b>	Black external marine grade (MG Pro 2)
<b>Fixings</b>	8mm square spindle, and M4 s/steel fixings to suit doors up to 60mm thickness
<b>Door type</b>	Suit all door types both internal and external, heavy duty applications
<b>Deadlatch</b>	Anti-thrust pin ensures automatic locking when the door is closed
<b>Cylinder</b>	SFIC key cylinder

## Dimensions

